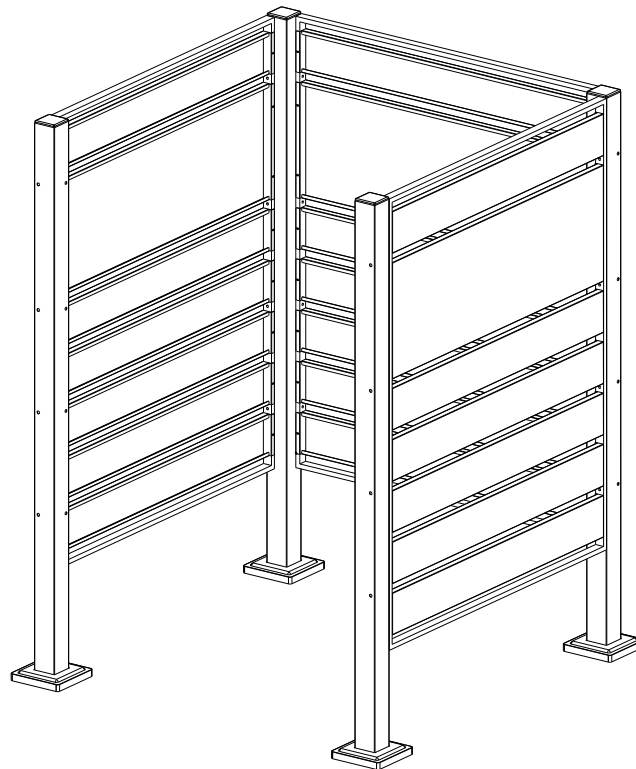
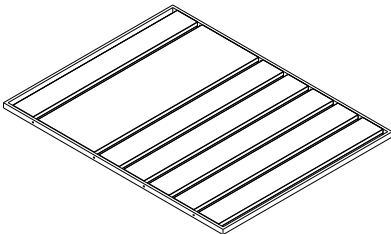


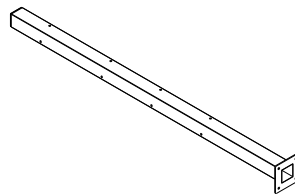
Montage der Mülleimer-Verkleidung SMV-3



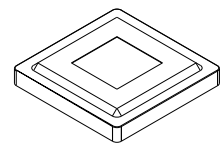
Ax3



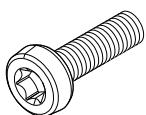
Bx4



Cx4

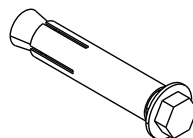


Dx24



M4x20mm

Ex16

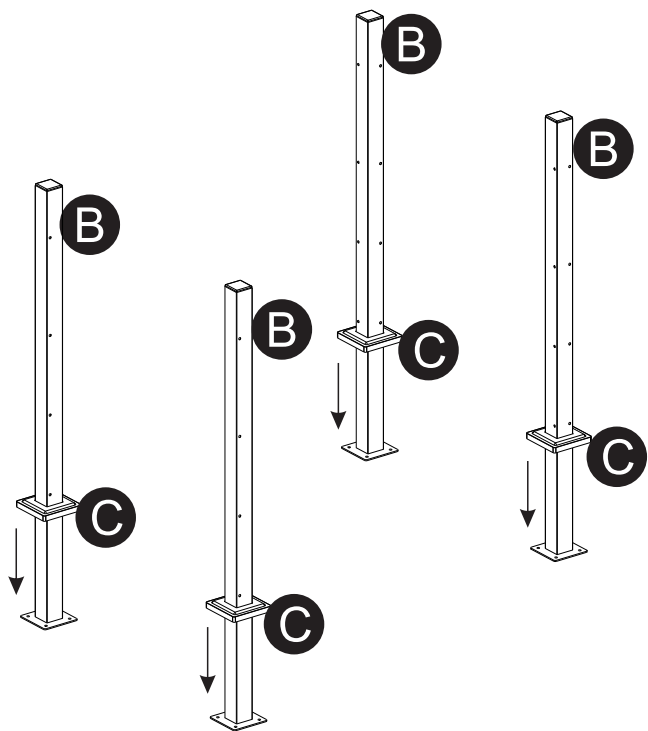


M6x50mm

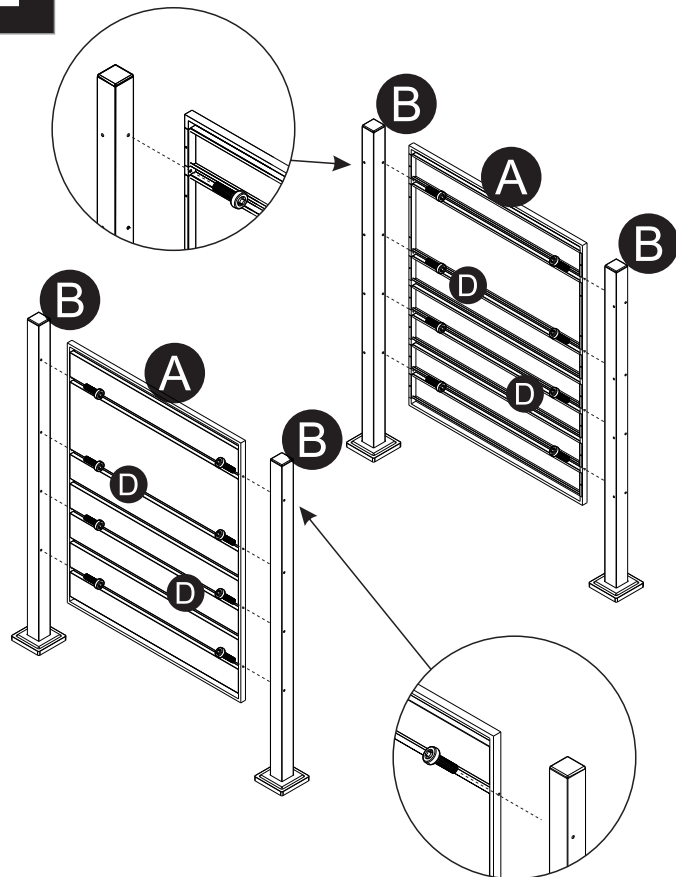
Fx1



1

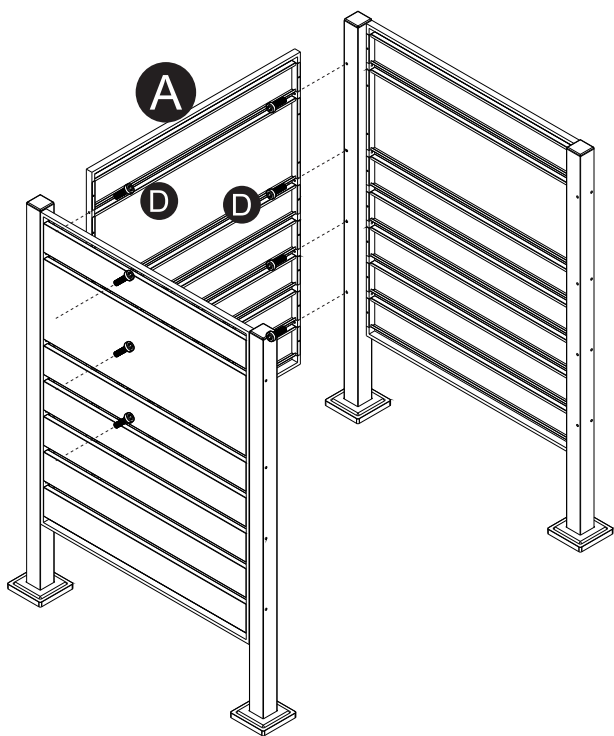


2



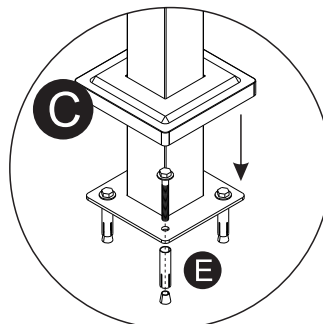
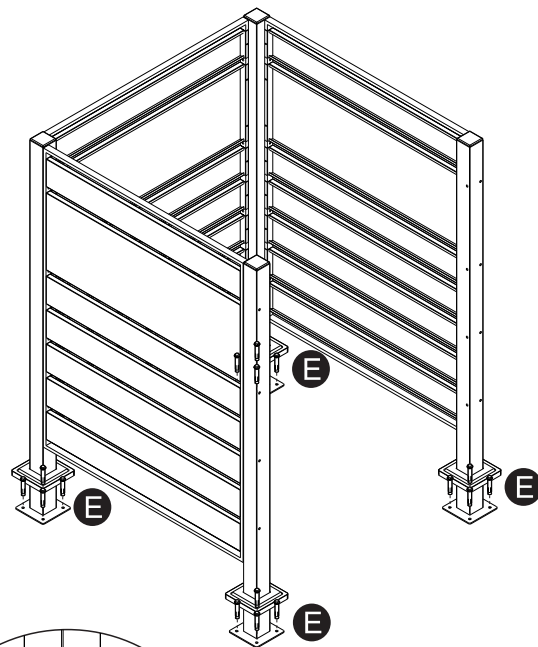
 Dx16

3



 Dx8

4



 Ex16